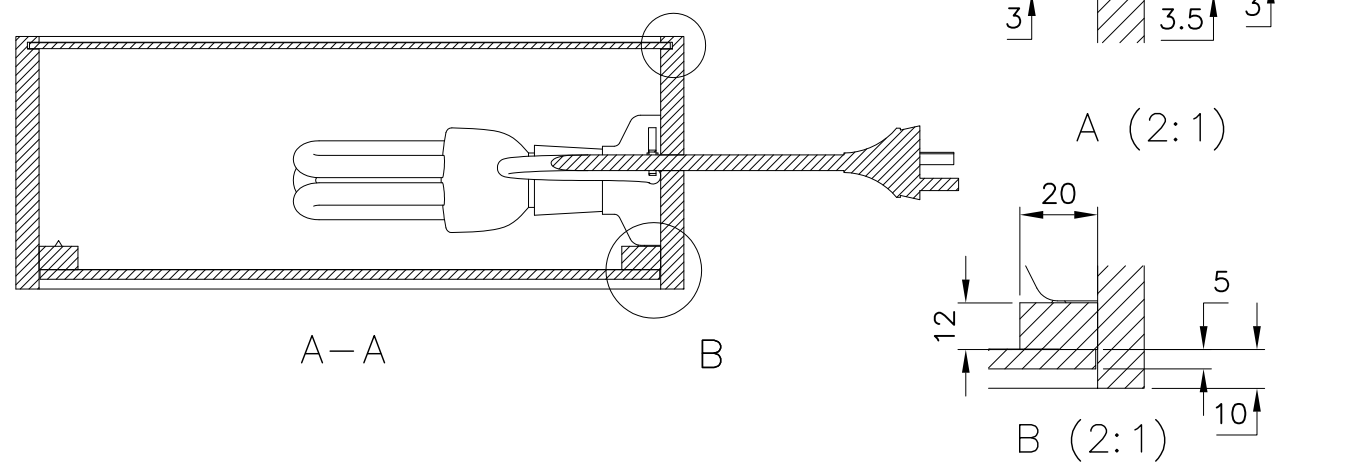
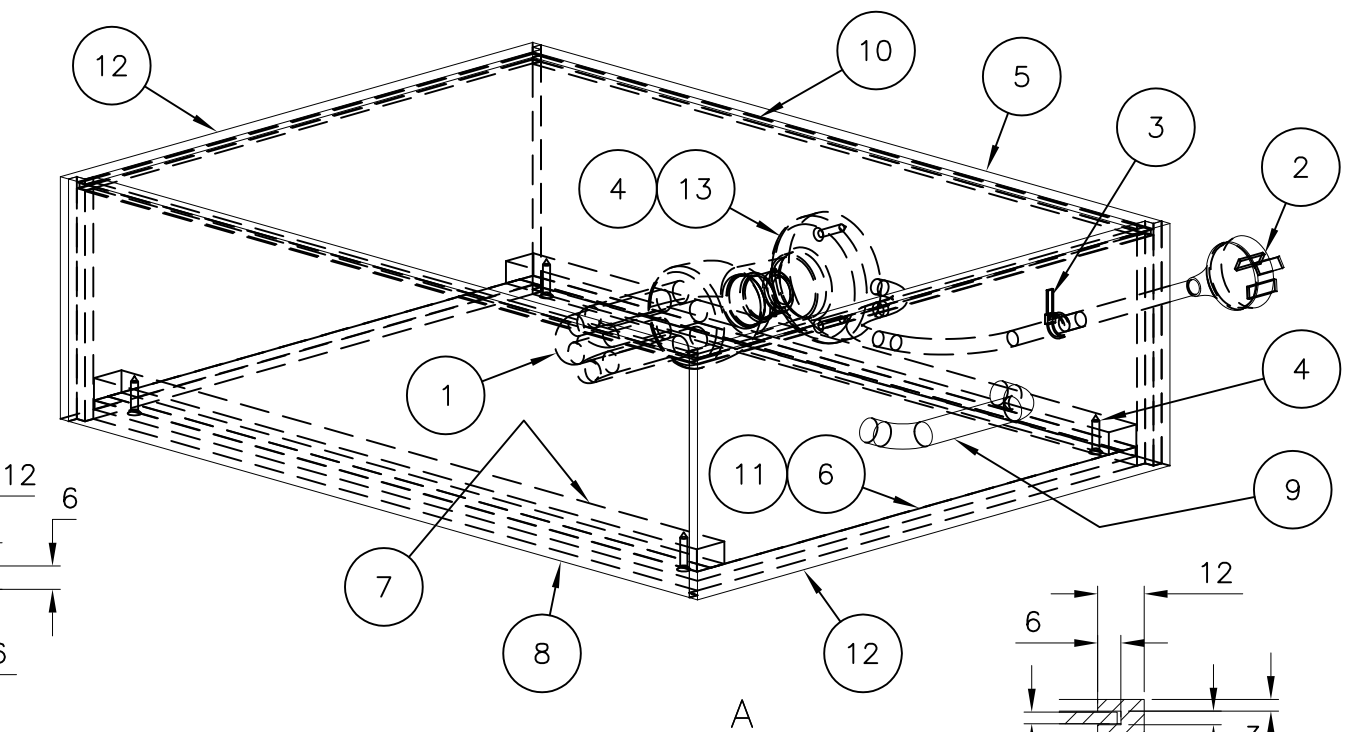


Item	Qty	Description	Material	Size
1	1	15 WATT DAYLIGHT FLOURO LAMP	NA	
2	1	2 MTR POWER CORD	NA	
3	1	3.6MM CABLE TIE	NA	
4	6	6G 20MM C/SUNK PHILIPS SCREW	ZINC PLATED	
5	1	BACK	DAR PINE	130 x 12 x 452
6	1	BOTTOM	CRAFT WOOD	439 x 239 x 5
7	2	BOTTOM SUPPORT	DAR PINE	20 x 12 x 439
8	1	FRONT	DAR PINE	130 x 12 x 452
9	1	HANDLE (OPTIONAL)	PINE	
10	1	OPAL PERSPEX	OPAL PERSPEX	450 x 330 x 3
11	1	REFLECTOR	ALFOIL	439 x 300
12	2	SIDES	DAR PINE	130 x 12 x 344
13	1	STD BATTEN HOLDER	NA	



REV	LOC	REVISION DESCRIPTION	DATE	REQD
A		FIRST RELEASE	23/11/02	NHW

 3RD ANGLE PROJ. U.N.O. ALL DIM'S IN mm. U.N.O. DO NOT SCALE 3.2/ALL OVER U.N.O.	DESIGN NHW	CLIENT	<i>customer</i> A3 TRACING BOX REFERENCE -	DWG NO TRB-A3	A A3
	DETAIL NHW	TITLE			
	DATE 23/11/02	REFERENCE -			
	CKD	SCALE 1:4			
	APPD				